

Gyptone BIG™ Access Panel Installation manual

Product description / use

Gyptone BIG Access Panel is fully integrated in the ceiling surface and allows for quick and easy access to technical installations.

Both hatch and frame are pure gypsum products and consist solely of recycled materials.

Construction height

When dismantling there must be a minimum distance of 35 mm between the bottom surface of the ceiling structure and the underlying fittings.

Surface

The surface consists of cardboard which should be painted, just like other plasterboard surfaces.

The edges on hatches and frames must be painted with a very resilient paint to strengthen the edges. It is advantageous to use high gloss paint.

Sizes

Access Panel including frame =
600 x 600 mm
Opening measurement = 510 x 510 mm

Loading

Gyptone BIG Access Panel must not be loaded.

Types

Gyptone Access Panels suit all Gyptone BIG products in modular size 1200 X 2400 mm:

- Gyptone BIG Line 6
- Gyptone BIG Quattro 41
- Gyptone BIG Quattro 42
- Gyptone BIG Quattro 46
- Gyptone BIG Quattro 47
- Gyptone BIG Sixto 63

Fire

A2-s1, d0.

Dimensional stability

Gyptone BIG can be used in areas with a relative humidity not exceeding 70% for prolonged periods.

Weight

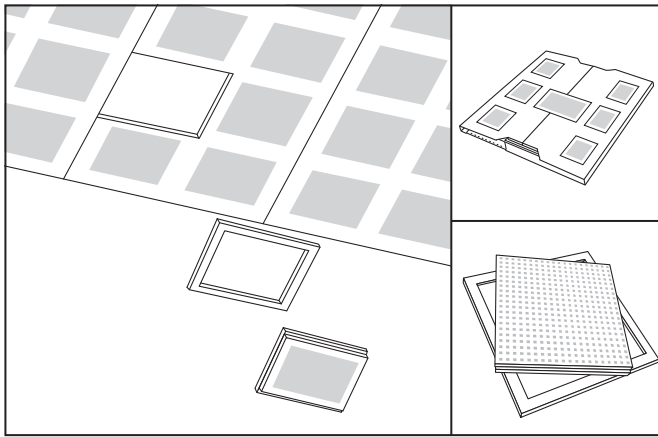
Frame = 0.9 kg
Hatch = approx. 3.6 kg

Cleaning

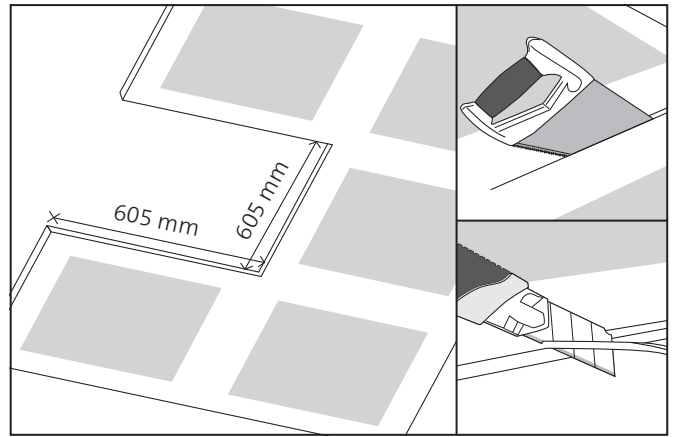
Depends on the surface treatment. For more information contact a paint supplier.

Maintenance

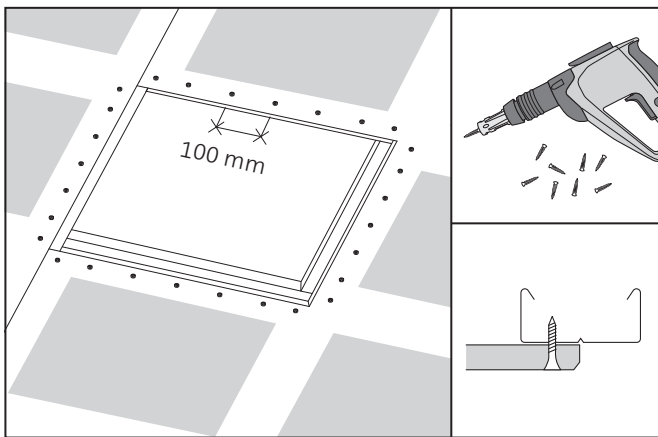
Small damages to edges or surfaces can be repaired with filler / paint.



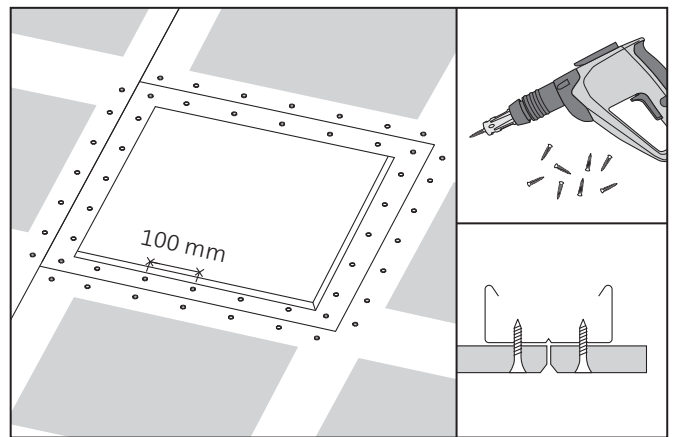
1 Gyptone BIG Access Panel is used in combination with the Gyptone BIG ceilings.



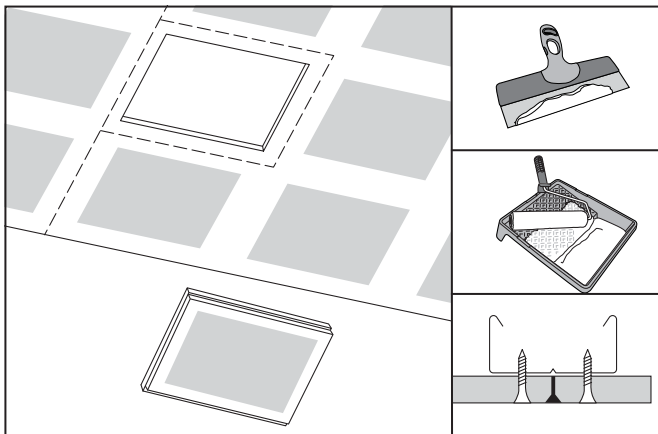
2 The measurements for cutting holes are centred around a perforated area. The hole is cut with a delicate jagged saw / knife. All edges must be bevelled with a knife.



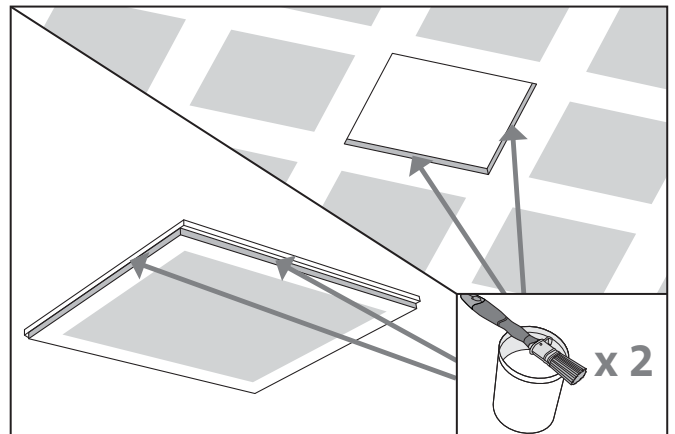
3 Fix the ceiling boards to the metal profiles. Screws are placed at a max. distance of 10 mm. There must be a stable base on all four sides.



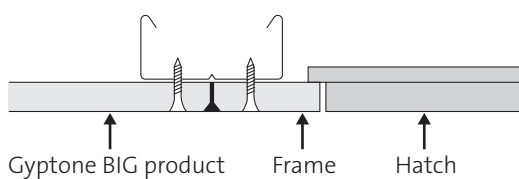
4 Carefully lift the frame into place and screw it into the metal profiles, max. distance cc 100 mm.



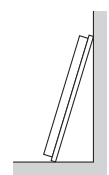
5 The ceiling is filled and painted. Note that the hatch should be painted / dried before installation in order to avoid sticking to other surfaces.



6 The vertical gypsum edges on the frame / hatch must be painted twice with an extra resilient paint to strengthen the edges. It is advantageous to use high gloss paint.



When dismantling the hatch must always be placed in a standing position against the heavy rear board.



More information can be found on www.gyptone.com