

# Gyptone® BIG™ Access Panel

FOR EASY ACCES IN  
CEILINGS WITH  
GYPTONE BIG BOARDS

ACTIV  
air

## Characteristics

**Activ'Air:** Gyptone Activ' Air is designed to decompose formaldehyde emissions from emitting building materials, paint, furniture, carpets etc., into non harmful inert compounds. Gyptone Activ' Air ceilings can reduce formaldehyde concentrations with up to 70%\*.

**Sustainability:** Gyptone acoustic ceilings are made of gypsum and carton. The carton is produced from recycled cardboard and paper. The used gypsum consists of natural gypsum in combination with recycled gypsum collected from construction sites and recycling centers.

**Dimensional stability:** Gyptone BIG should be installed and used in areas with a relative humidity not exceeding 70% for prolonged periods or temperature exceeding 45° C.

**Installation:** Gyptone BIG Access Panel is suitable for suspended screw fixing and the system is not demountable. See Gyptone BIG Access Panel installation manual for further details.

**Construction height:** The smallest possible standard construction height with GK grid in one level is 145 mm including the board.

**Surface:** Gyptone BIG Access Panel is supplied unpainted. The surface finish is done on site after jointing is completed. Ceilings must be painted with a short-haired roller. The boards must not be spray-painted as this considerably impairs sound absorption.

**Maintenance:** By minor damage on edges or surface, filler and paint can do the repair.

**Cleaning:** Depends on the surface treatment.

*\* The effectiveness of the Activ'Air technology has been tested by the accredited Eurofins laboratory. The tests show that a Gyptone ceiling with Activ'Air reduces up to 70% of the formaldehyde in a controlled test environment.*

## Product Description

The Gyptone acoustic ceiling range is designed to improve a rooms acoustic environment with optimized reverberation time and improved speech intelligibility in a given room, like in schools, kindergartens, offices, retail and the health sector. All Gyptone products is with the Activ'Air technology that will improve the indoor air quality by reducing the formaldehyde level.

The Gyptone BIG Access Panel range includes many different perforation designs to match the Gyptone BIG boards: Line 6, Sixto 63, Quattro 41-42-46-47-71 and Base 31 without perforation and acoustic performance, all with frame and inspection hatch, ready to be installed.

Gyptone acoustic ceilings have durable and low maintenance surfaces with long lifespan and minimal maintenance costs. Gyptone acoustic ceilings are made from natural materials and contains no harmful substances.

A big part of Gyptone products are made of recycled gypsum and have some very strong sustainability properties. Used Gyptone products can be completely recycled in the production of new gypsum products.

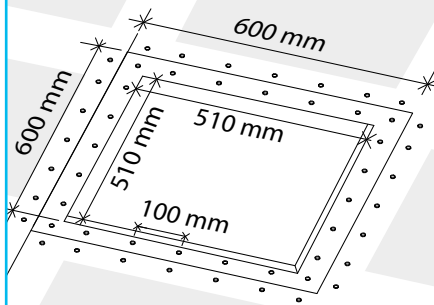
# Gyptone® BIG™ Access Panel

Gyptone BIG Access Panel is used together with Gyptone BIG boards for better and easier access to the plenum above the ceiling.

Hatch and frame is made out of gypsum plasterboard and are 100% recyclable.

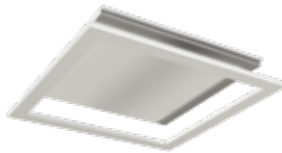
Technical data	Value
Edge	B
Modular size	600 x 600 mm (actual size of opening: 510 x 510 mm)
Thickness	12.5 mm
Weight	Approx. 3.6 kg/m <sup>2</sup>
Colour	Unpainted
Fire performance	A2-s1, d0 (Reference standard EN 14190)

**Fitting:** Edge B on short and long edge for jointing



## Product Range for BIG Access Panel

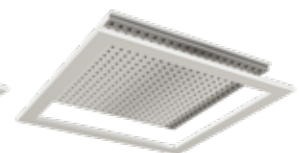
Base



Line 6



Quattro 41



Quattro 42



Quattro 46



Quattro 47



Quattro 71



Sixto 63



**SAINT-GOBAIN**

Saint-Gobain Denmark A/S

Gyproc, Hareskovvej 12  
4400 Kalundborg, Denmark

Tel. : +45 5957 0330

Fax: +45 5957 0331

[www.gyptone.com](http://www.gyptone.com)



\*Information sur le niveau d'émission de substances volatiles dans l'air intérieur, présentant un risque de toxicité par inhalation, sur une échelle de classe allant de A+ (très faibles émissions) à C (fortes émissions)



Gyptone acoustic products are tested by Danish Indoor Climate Labelling and according to the French Health and Environmental Authority's labelling scheme. Used acoustic ceiling products can be fully recycled into the production of new gypsum products.