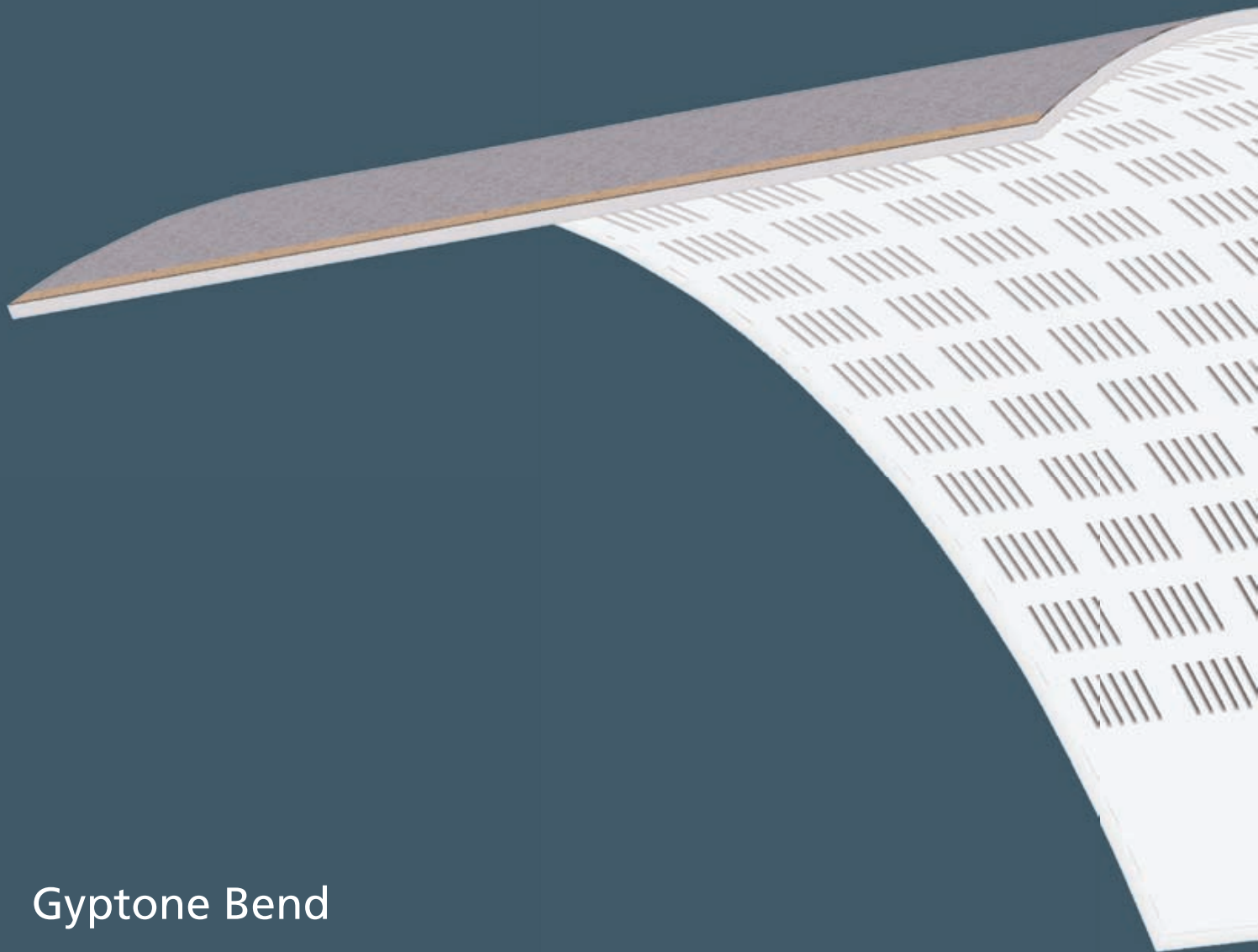


Gyptone ceilings 2.3.2 Bend



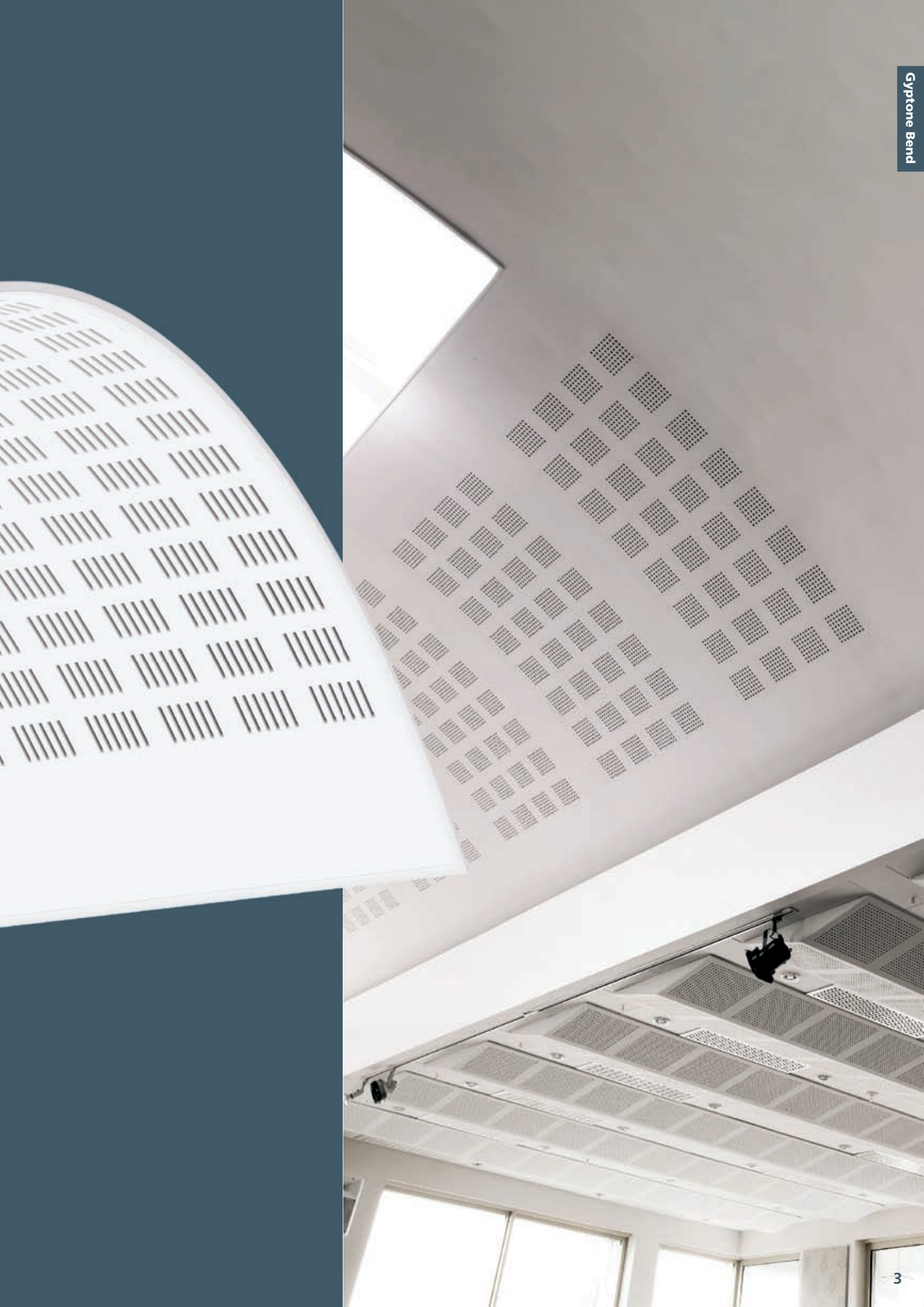
Gyptone®

Reflecting everyday life



Gyptone Bend

- Rectangular holes
- Edge B1
- For primary/secondary system and GK(CD)-system

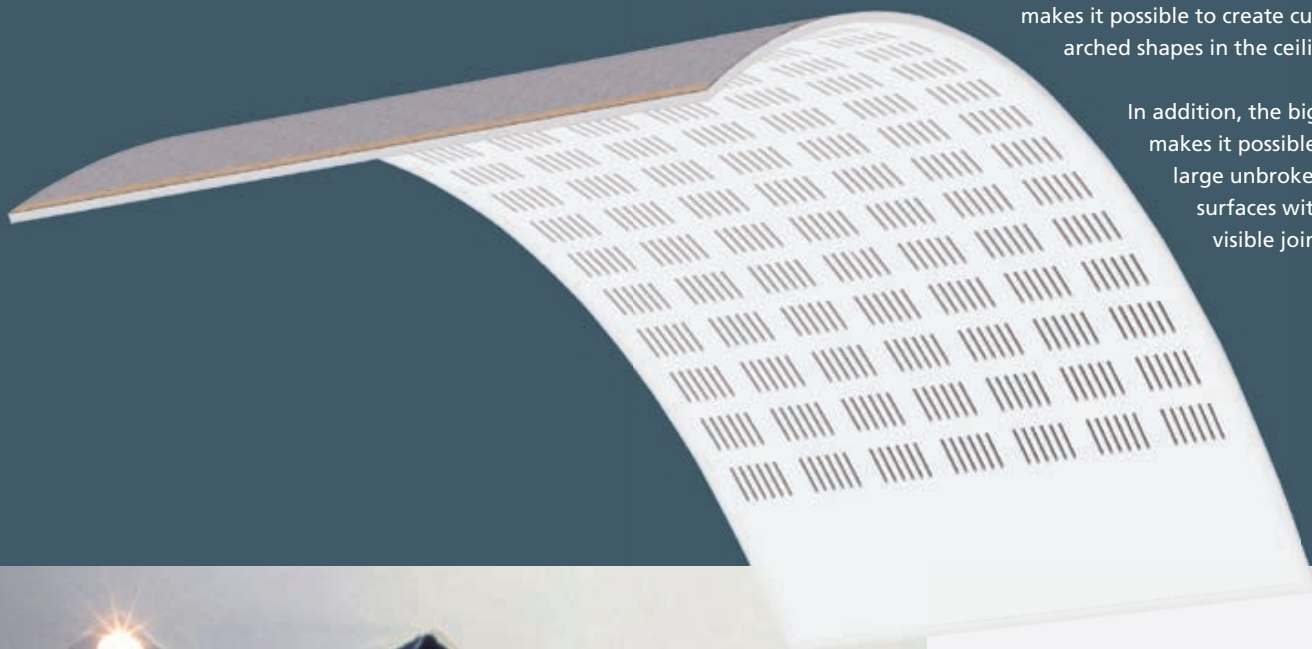


Gyptone Bend

The product range for Gyptone Bend comprises one standard pattern – Line 7 – with slotted perforations plus Bend Base both with long tapered edges.

Gyptone Bend is only 6.5 mm thick and this makes it possible to create curved/ arched shapes in the ceiling.


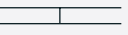
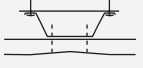
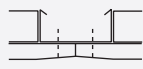
In addition, the big format makes it possible to create large unbroken ceiling surfaces without visible joints or grids.



Acoustics

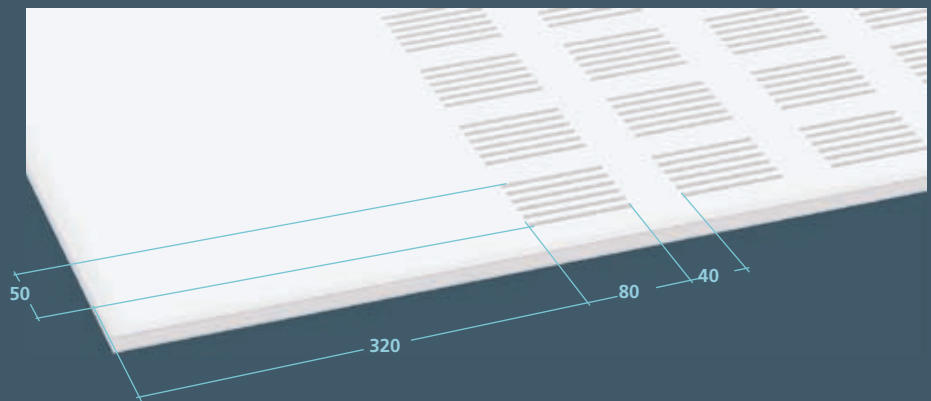
Sound absorption varies depending on the construction height, the bending radius and the shape, plus if any mineral wool is behind the boards.

Concrete absorption figures cannot be given as it is not possible to do relevant measurements. The absorption data for straight/flat boards with similar patterns must function as guidance.

Edges	Modular size (mm)	Thickness (mm)	Fixing systems	Fixing/Surface Treatment
B1 Long edge  A Short edge 	900 x 2400	6.5	Primary/secondary system  GK(CD)-system 	Not demountable/Unpainted



Hole size: 6 x 80 mm
Perforated area: 14%



Design and technical data

Product description

Gyptone Bend is made out of 6.5 mm Gyproc plasterboard. The holes are punched in the boards with great precision. The boards are backed with an acoustic tissue.

Fixing

Gyptone Bend is screwed against pre-curved sections and the boards are not demountable.

Construction height

The smallest possible standard construction height with rolled steel sections depends on the chosen radius.

Surface

Gyptone Bend is supplied unpainted in edge type B1. Painting is done on site after the completion of filling. The boards are painted using a roller. The boards must not be spray-painted, as this considerably reduces their sound absorption capacity.

Fire

A2-s1, d0.

Dimensional stability

Gyptone Bend should be installed and used in areas with a relative humidity not exceeding 70% for prolonged periods.

Dimensions

Modular size 900 x 2400 mm.

Weight

Approx. 5 kg/m².

Cleaning

Depends on the surface treatment.

Maintenance

Repainting must be done with a roller. The boards must not be spray-painted, as this impairs sound absorption.

More information can be found on www.gyptone.com





www.gyptone.com

Gyptone.com is not just a home page. Here you can find all Gyptone products "live" – see www.gyptone.com – choose the 3D product gallery and you will enter a 3D universe where all our products can be turned around and over, put together with different systems and displayed exactly the way you want them in your project.



Gyproc A/S
Hareskovvej 12
DK-4400 Kalundborg
Denmark
Tel.: +45 59 57 03 30
Fax: +45 59 57 03 01
e-mail: info@gyproc.com
www.gyptone.com

October 2007

