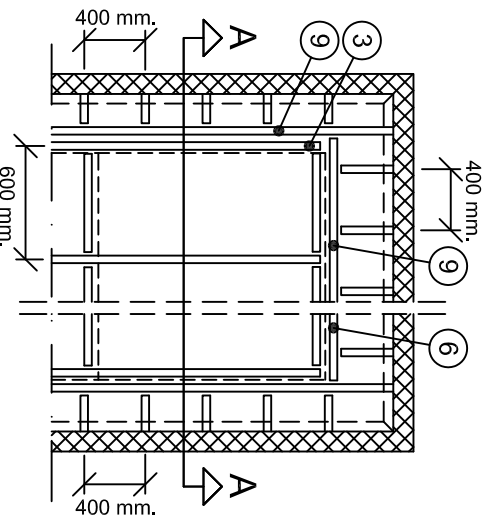


- | | |
|---|--|
| 1 24 mm main channel 4110180, cc distance 600 mm. | 7 Adapted main channel GK-1, cc distance at 400 mm. |
| 2 24 mm Cross channel 4149111, cc distance 1200 mm. | 8 Connector GK 21. |
| 3 Adjustabel hanger, cc distance 1200 mm. | 9 Adjustable hanger GK 26-01, cc distance 900 mm. |
| 4 Gyptone plasterboard with edge D1. | 10 Gyproc Kortplank, GKP 13 (bevel edge from factory). |
| 5 Perimeter channel GK-C, attachde to wall at 400 mm. | 11 Gyproc screw QS 25. |
| 6 Main channel GK 1. | |



PLAN CUTOUT

STANDARD DETAIL

System Edge D1 ceiling

Notation Attached frieze of GKP 13 on GK - system, max. frieze width 1200 mm.

Scale 1:2

Date 01/12-2005

Rev.

Rev. date

Nr.

D1 - 004

GYPTONE