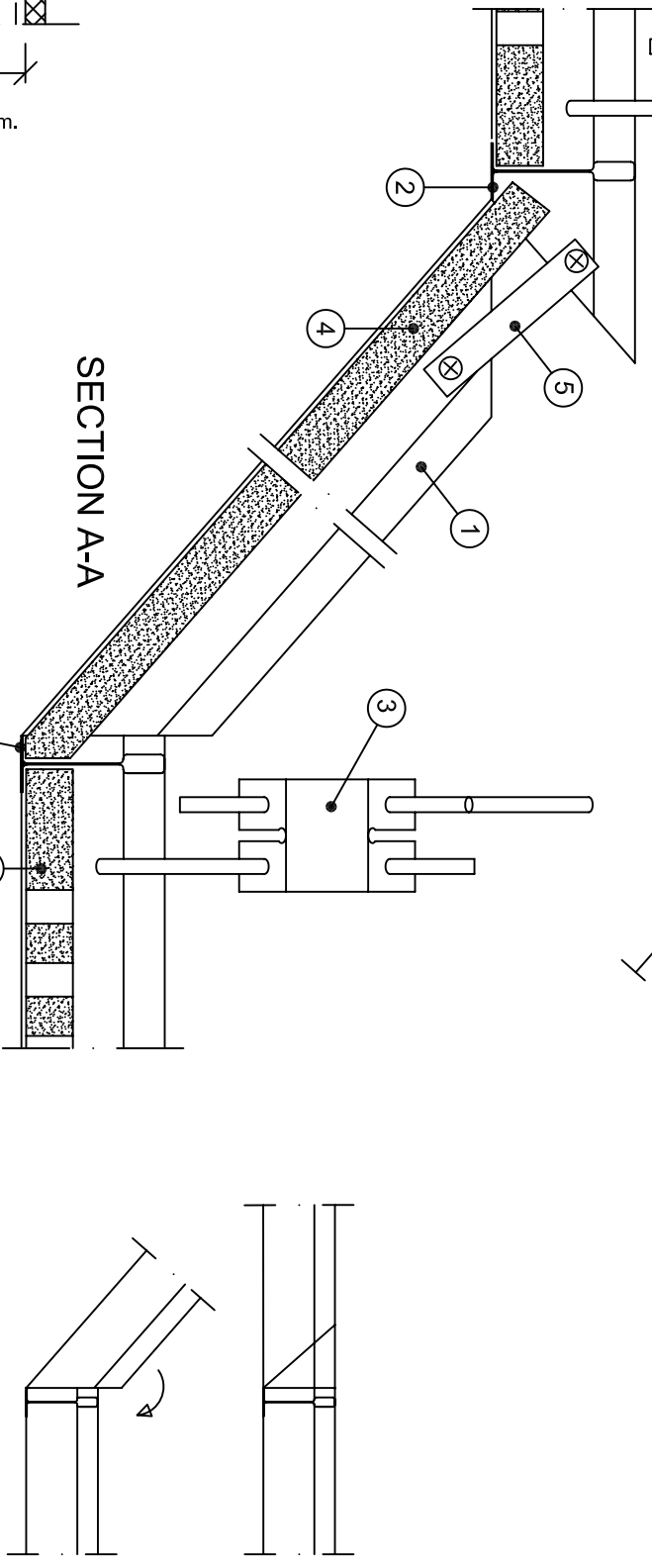


PLAN CUTOUT



SECTION A-A

- 1 Main T section 4120180 (15mm) or 4110180 (24mm), cc distance 600 mm, cutter and attached furnishing.
- 2 Cross T section 4120161 (15mm) or 4110161 (24mm), length 600 mm, cc distance 600 mm.
- 3 adjustable hanger, cc distance 1200 mm.
- 4 Gyptone plasterboards with edge A, lowest tile edge adapted with T section (perforated / non perforated).
- 5 The reinforcement with furnishing attached by 2 pieces of screw P14.

STANDARD DETAIL

System Edge A ceiling

Notation Change of level in main channel

Scale 1:2

Date 01/12-2005

Rev.

Rev. date

Nr.

A - 006

